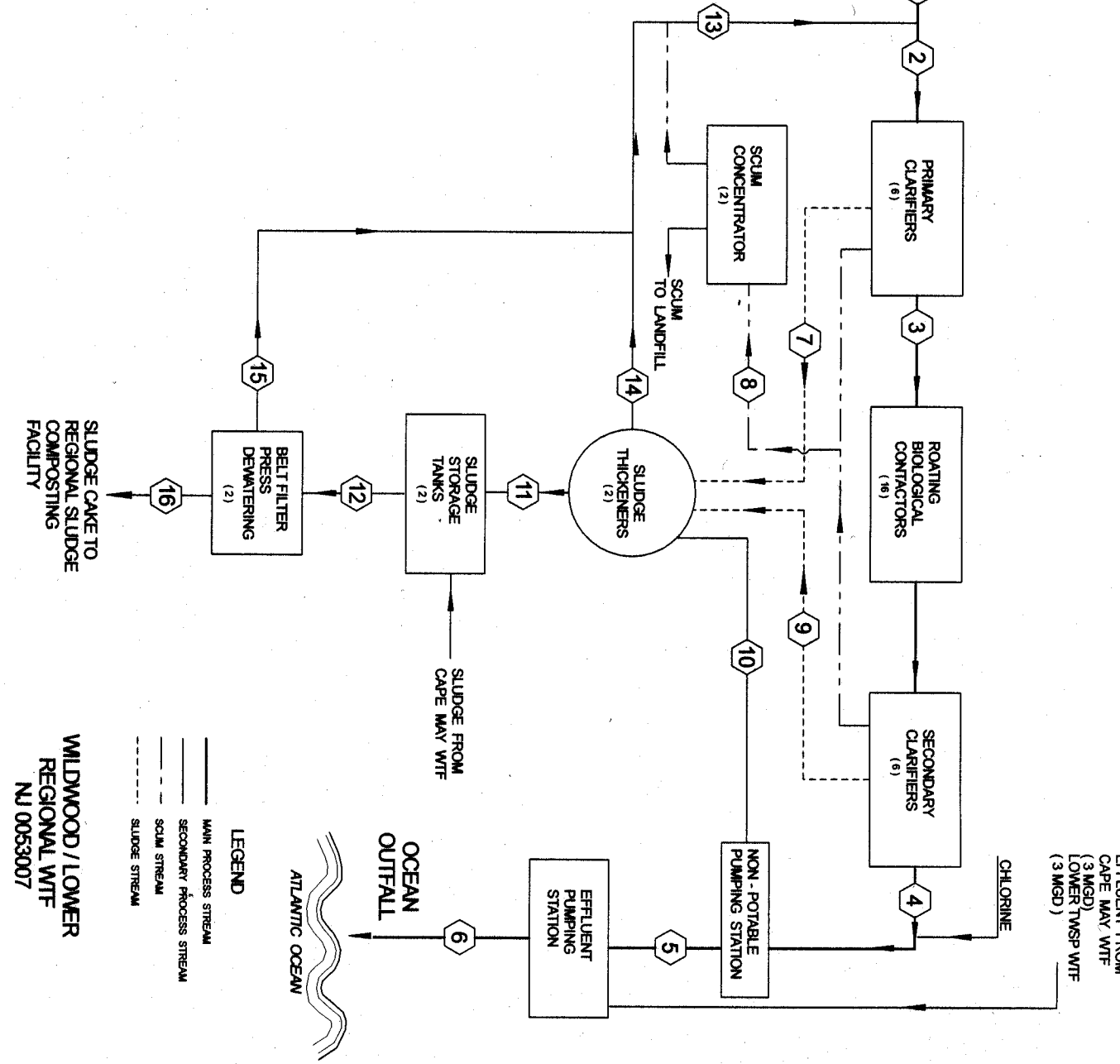


STR NO.	DESCRIPTION	SUMMER SOLIDS		NON-SUMMER SOLIDS		
		FLOW MGD	S.S. MG/L	FLOW MGD	S.S. MG/L	
1	PLANT INFLUENT	14.180	240	5.460	250	
1-4	RAW WASTEWATER	28.283	28,555	10,929	11,384	
2	GRIT CHAMBER EFFLUENT	14.180	28,383	29,566	10,929	
2	PRIMARY CLARIFIER INFLUENT	16.252	241	238	228	
2	SECONDARY PROCESS INFLUENT	16.168	32,704	32,345	12,597	
3	SECONDARY CLARIFIER EFFLUENT	16.168	13,082	22,541	5,039	
4	WILDMOOD/LOWER WWT EFFLUENT	16.168	2,877	2,877	2,070	
5	COMBINED EFFLUENT	14.165	2,363	2,363	910	
6	COMBINED EFFLUENT	21.180	3,353	3,353	1,359	
7	PRIMARY SLUDGE	0.078	19,622	9.704	7,556	
8	COMBINED SCUM	7090 GPD		2720 GPD		
9	SECONDARY SLUDGE	0.117	1,095	11,955	1,075	
10	DELUTION WATER	1.885	314	314	160	
11	THICKENED SLUDGE	0.084	5,095	20,528	10,537	
12	SLUDGE TO BELT FILTER PRESS	0.078	5,095	20,019	10,537	
13	RECYLE FLOW	2.071	4,321	2,780	1,688	
14	THICKENERS OVERFLOW	2.016	2,987	1,445	1,150	
15	FILTATE FROM SLUDGE BELT FILTER PRESSES	0.049	1,334	1,334	518	
16	SLUDGE CAKE	89 CY	25.0%	23,686	38 CY	25.0%



LEGEND

- MAIN PROCESS STREAM
- - - SECONDARY PROCESS STREAM
- SCUM STREAM
- SLUDGE STREAM

WILDMOOD / LOWER REGIONAL WTF
 NJ 0053007