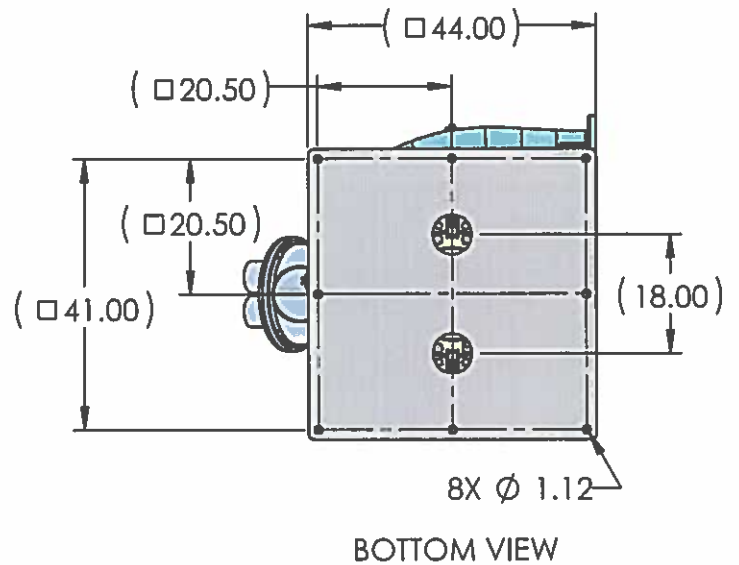
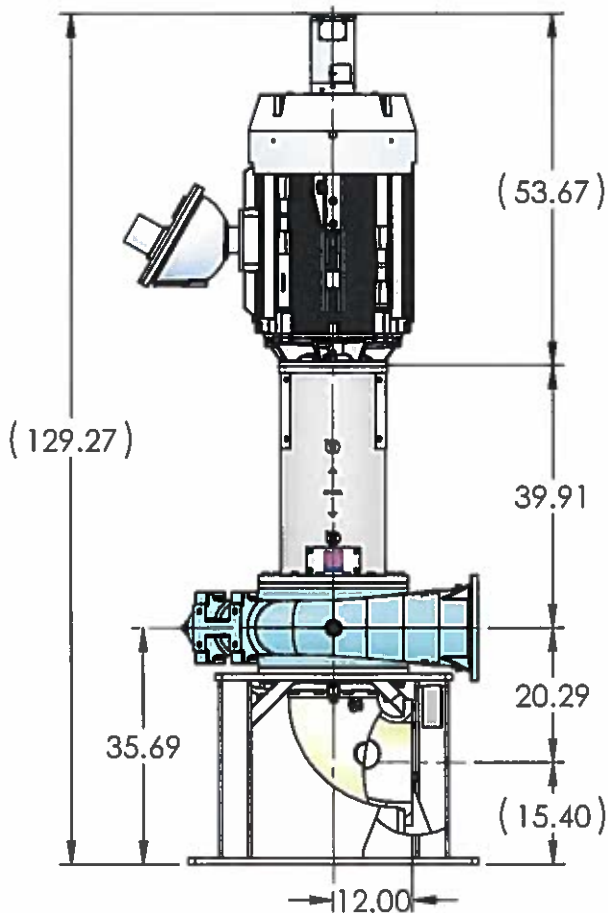


12X12 BASE
ELBOW WITH
CLEANOUT

10" CLASS 125
DISCHARGE
FLANGE

12" CLASS 125
SUCTION
FLANGE



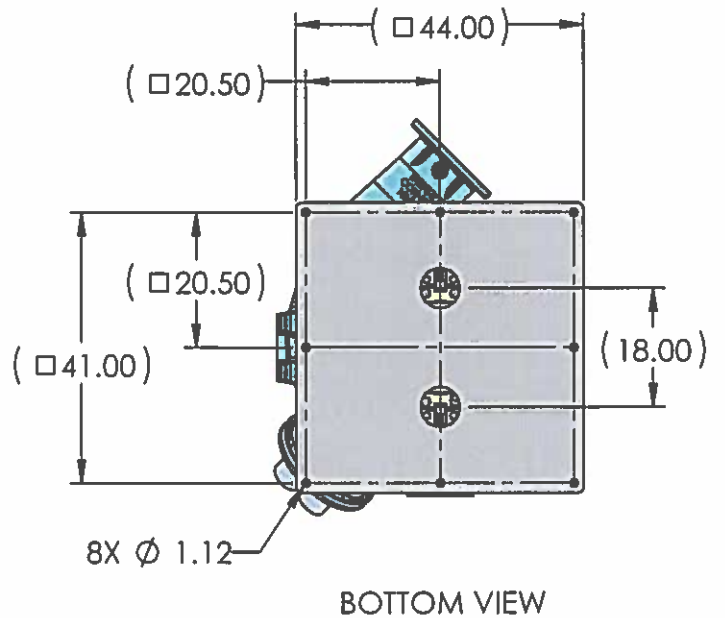
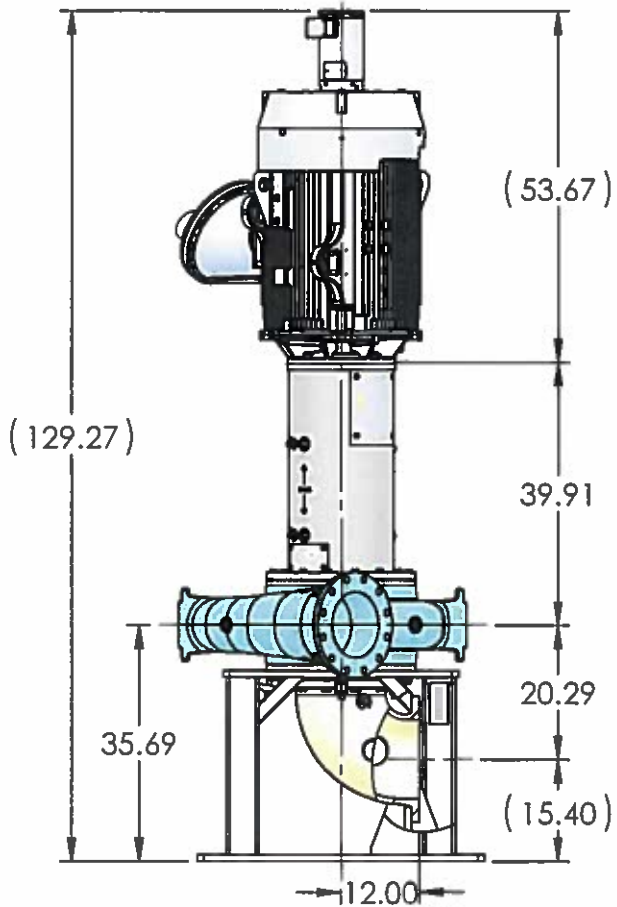
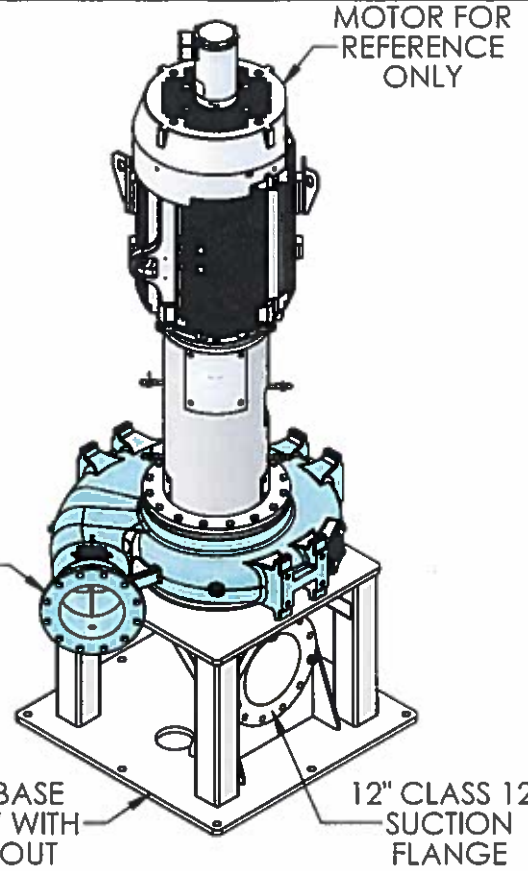
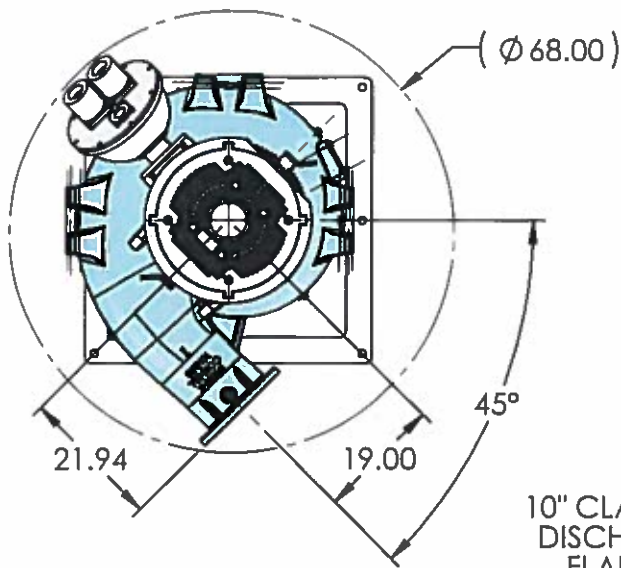
NOTES:

1. OVERALL DIMENSIONS CAN VARY $\pm .12$ INCH
2. DO NOT USE FOR CONSTRUCTION UNLESS CERTIFIED
3. REF: TB14336-PHCS



CUSTOMER: _____
 P.O. NO.: _____
 S.O. NO.: _____
 PROJECT NAME: _____
 MOTOR MANUF.: RELIANCE HP: 125
 FRAME SIZE: 445HP RPM: 1200 MOTOR
 ENCLOSURE: _____ PUMP

REV. NO.	DESCRIPTION			DATE	BY
	10NHTB-VC18DB CYC IMM 12X12 TEBC 445HP L180°				
DR. AC	CHECKED CD	DATE 11/11/2020	SCALE TO SCALE	APPROX. WEIGHT (LB) 5690	JOB NO.
CORNELL PUMP COMPANY PORTLAND, OR				DWG. NO. F40278	REV. 00
SHEET 1 OF 1					



- NOTES:
 1. OVERALL DIMENSIONS CAN VARY ±.12 INCH
 2. DO NOT USE FOR CONSTRUCTION UNLESS CERTIFIED
 3. REF: TB14336-PHCS



CUSTOMER: _____
 P.O. NO.: _____
 S.O. NO.: _____
 PROJECT NAME: _____
 MOTOR MANUF.: RELIANCE HP: 125
 FRAME SIZE: 445HP RPM: 1200 MOTOR
 ENCLOSURE: _____ PUMP

REV. NO.	DESCRIPTION			DATE	BY
	10NHTB-VC18DB CYC IMM 12X12 TEBC 445HP L135°				
DR. AC	CHECKED CD	DATE 11/11/2020	SCALE TO SCALE	DWG. NO. F40266	REV. 00
CORNELL PUMP COMPANY PORTLAND, OR					SHEET 1 OF 1

APPROX. WEIGHT (LB) 5690
 JOB NO. _____
 DWG. NO. F40266
 REV. 00
 SHEET 1 OF 1