

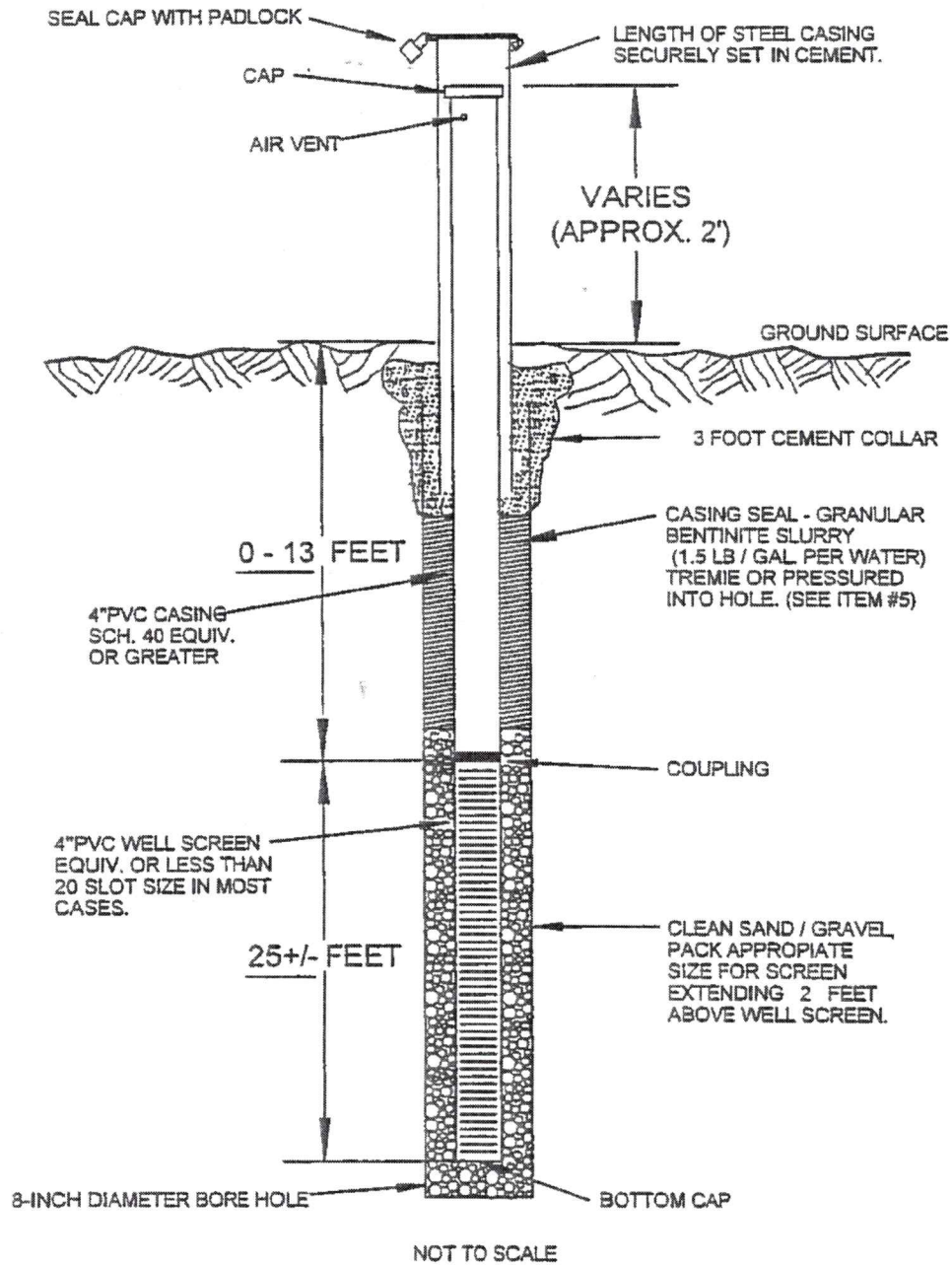
Appendix A-4

Details of Landfill Groundwater Monitoring and Observation Wells

NEW JERSEY DEPARTMENT OF ENVIRONMENTAL PROTECTION
UNCONSOLIDATED WELL SPECIFICATIONS

SITE NAME: C M C M U A SECURE SANITARY LANDFILL

LOCATION: UPPER TWP. AND WOODBINE BOROUGH, N.J.



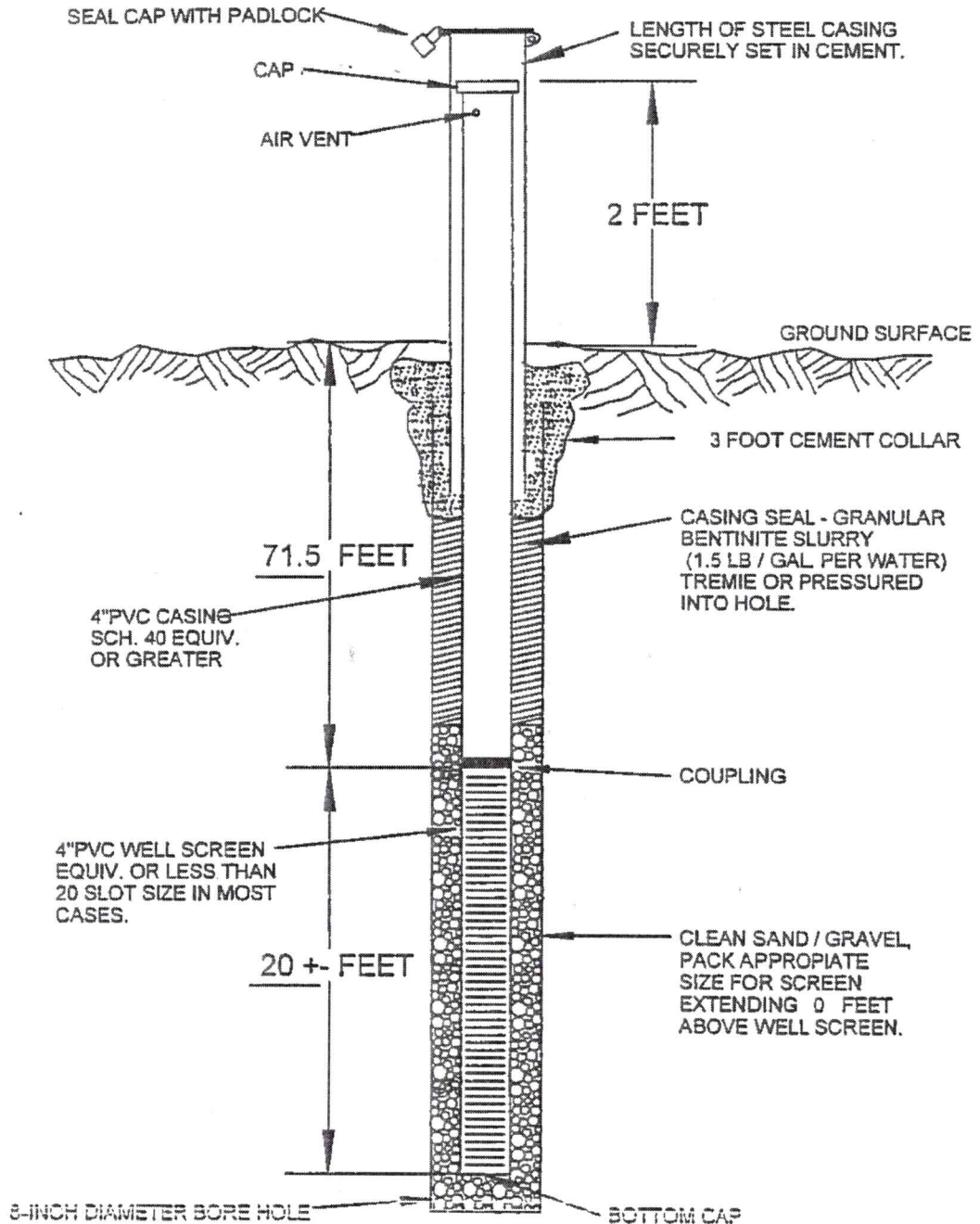
WELL Nos. 1 THRU 3, 6, 9 THRU 13, 15, 9A AND WELL No. 20

NEW JERSEY DEPARTMENT OF ENVIRONMENTAL PROTECTION
UNCONSOLIDATED WELL SPECIFICATIONS

SITE NAME: C M C M U A SECURE SANITARY LANDFILL

LOCATION: UPPER TWP. AND WOODBINE BOROUGH, N.J.

DATE: FEBRUARY 29, 1984



NOT TO SCALE

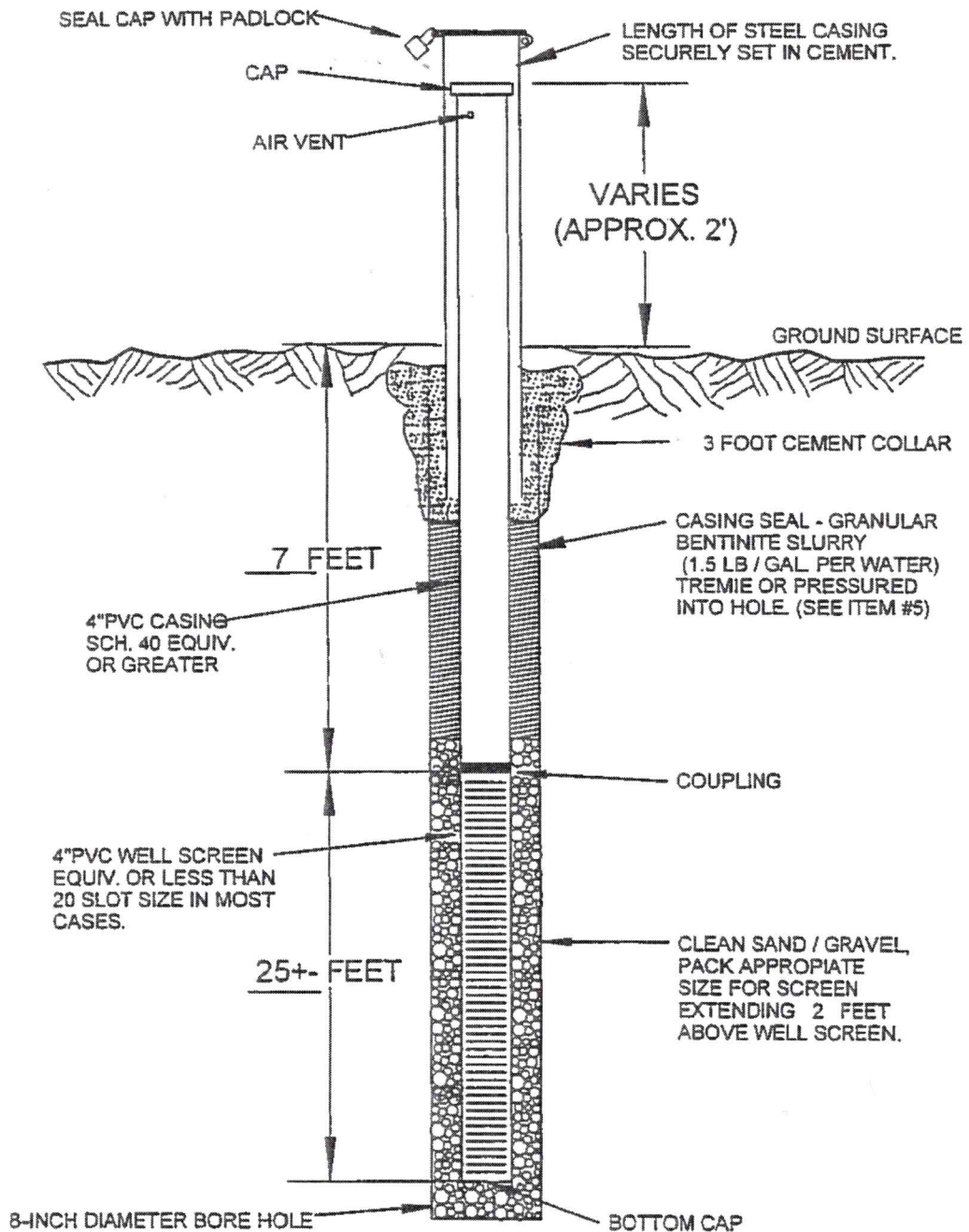
WELL No. 14

NEW JERSEY DEPARTMENT OF ENVIRONMENTAL PROTECTION
UNCONSOLIDATED WELL SPECIFICATIONS

SITE NAME: C M C M U A SECURE SANITARY LANDFILL

LOCATION: UPPER TWP. AND WOODBINE BOROUGH, N.J.

DATE: MARCH 3, 1986



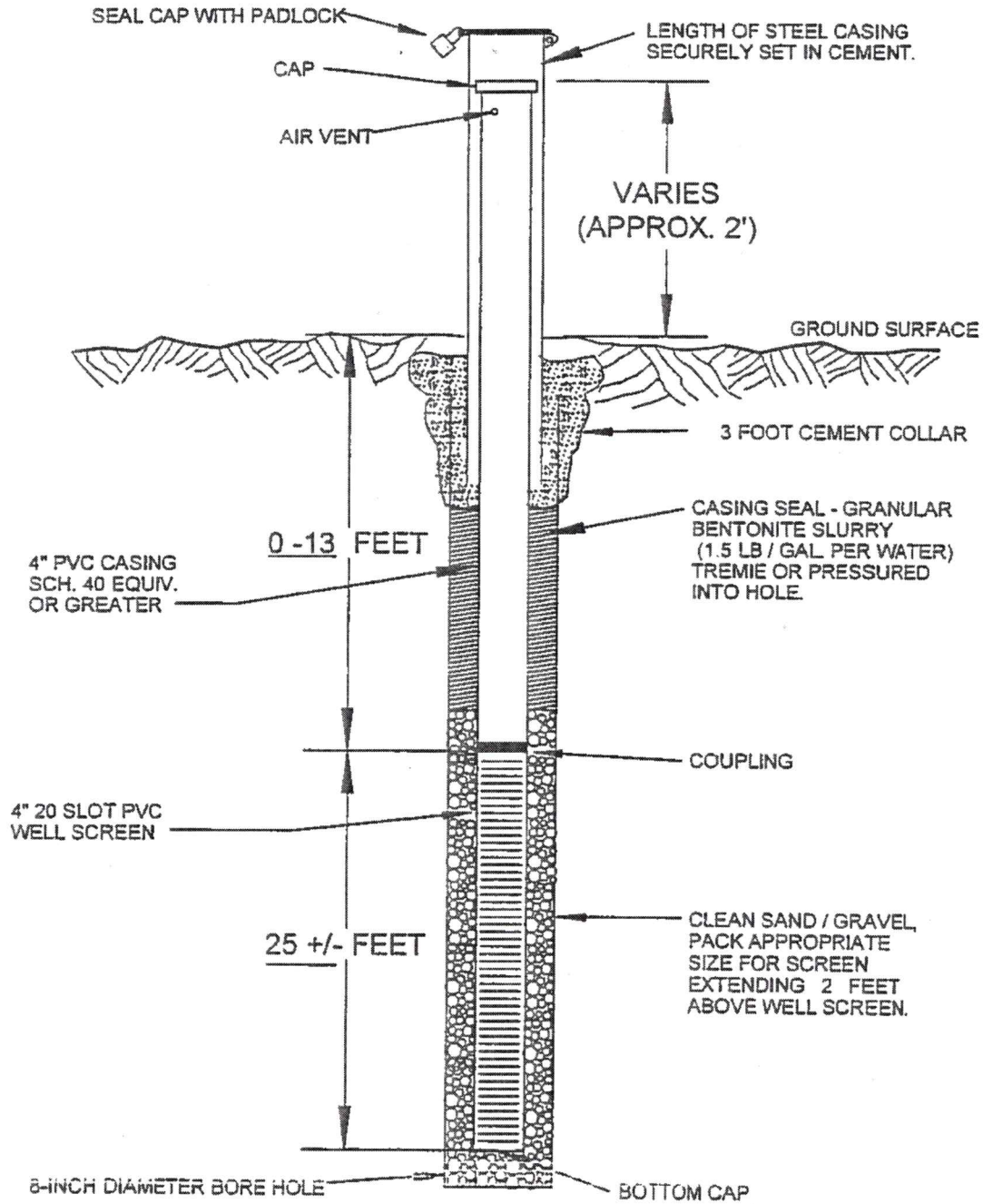
NOT TO SCALE

WELL No. 17

NEW JERSEY DEPARTMENT OF ENVIRONMENTAL PROTECTION
UNCONSOLIDATED WELL SPECIFICATIONS

SITE NAME: C M C M U A SECURE SANITARY LANDFILL

LOCATION: BLOCK 128.02, LOT 1, BOROUGH OF WOODBINE, N.J.



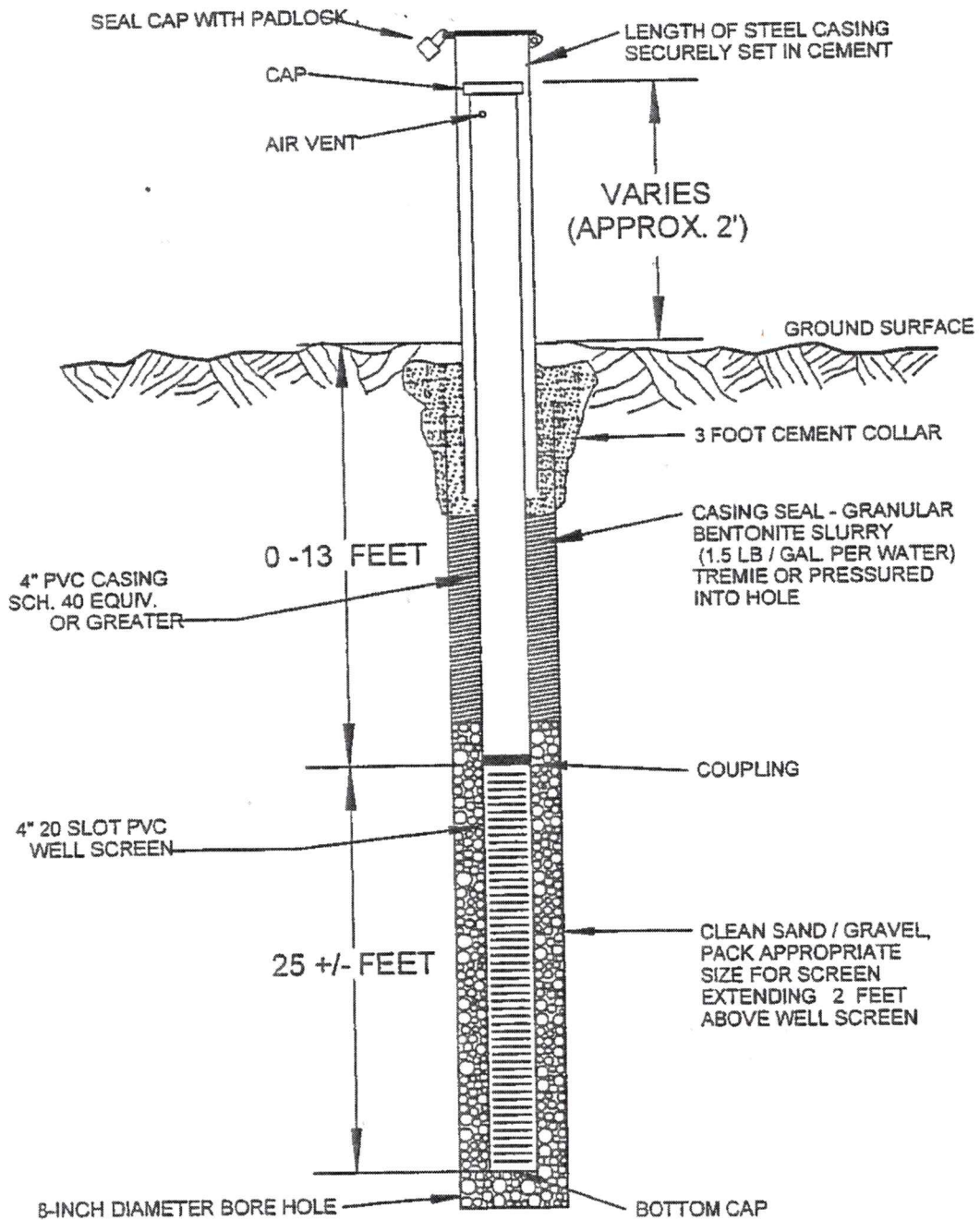
NOT TO SCALE

WELL No. 21

NEW JERSEY DEPARTMENT OF ENVIRONMENTAL PROTECTION
UNCONSOLIDATED WELL SPECIFICATIONS

SITE NAME: C M C M U A SECURE SANITARY LANDFILL

LOCATION: BLOCK 247, LOT 9.01, UPPER TOWNSHIP, N.J.



NOT TO SCALE

WELL Nos. 30 AND 31