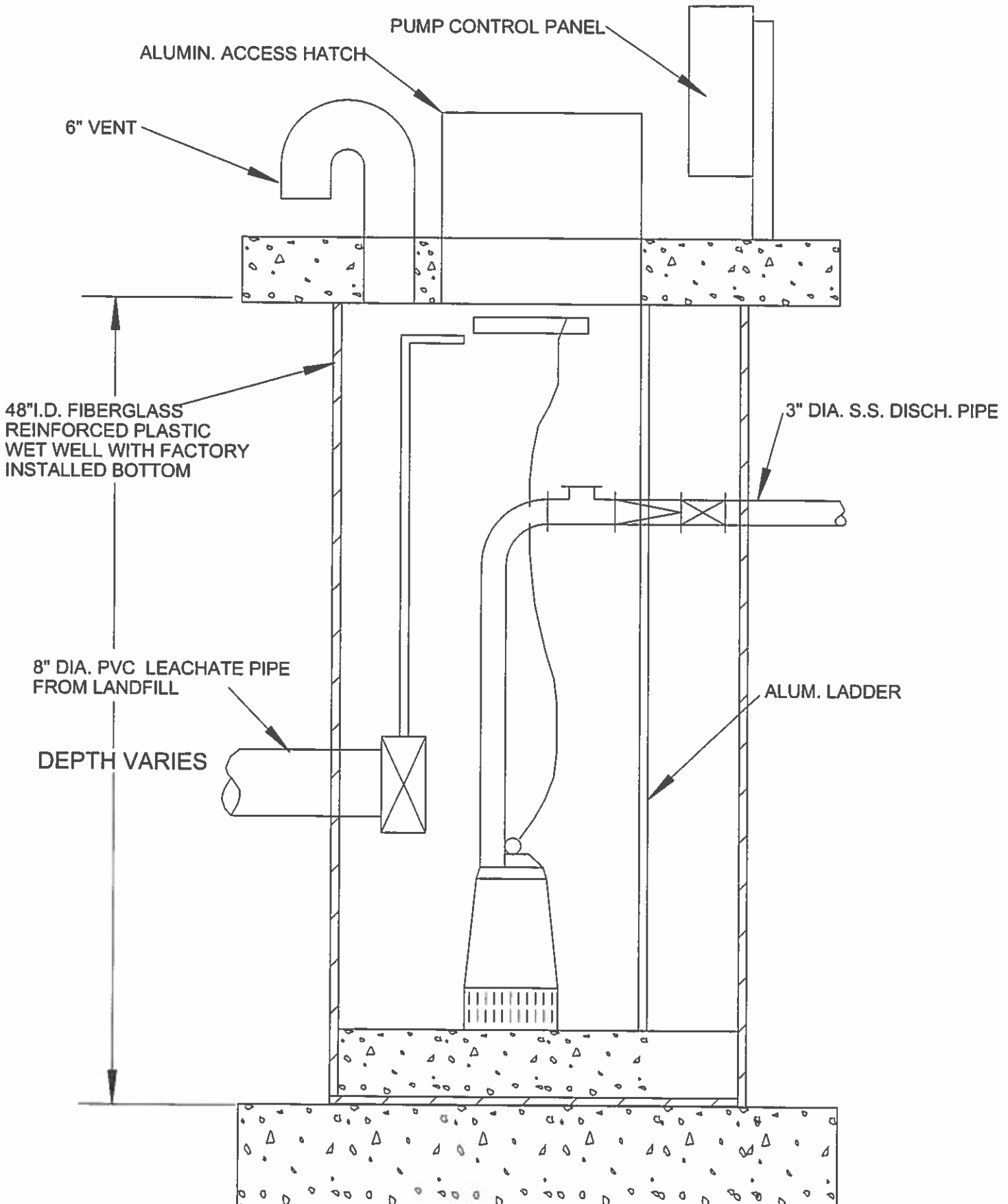


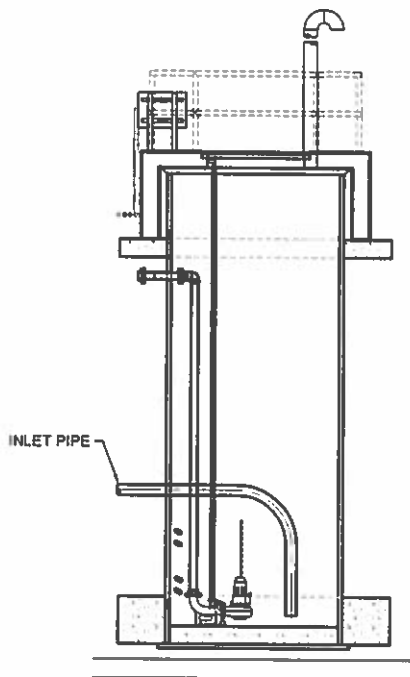
Appendix A-5
Typical Details of Landfill Leachate Sumps



TYPICAL DETAIL
LEACHATE PUMP SUMPS FOR LANDFILL
CELLS - 1B NORTH, 1B SOUTH & 1C NORTH, SUMP NOS. 3P, 4S, 5P, 6S, 11P, & 12S

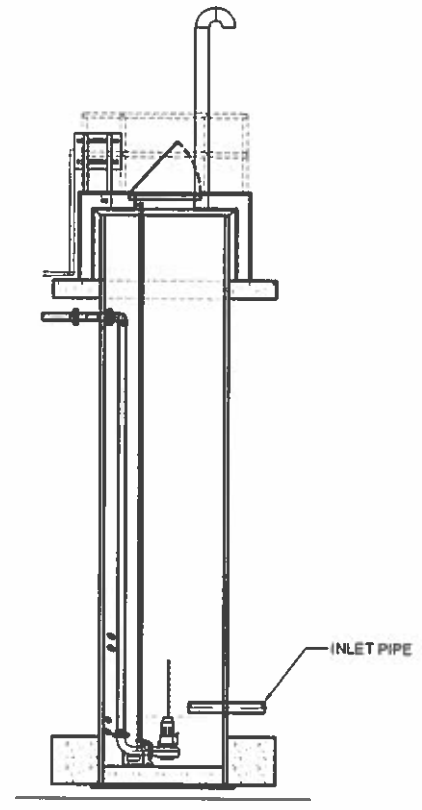
NOTE: IT IS STRONGLY RECOMMENDED BIDDERS VISIT SITE AND OBSERVE ACTUAL CONDITIONS PRIOR TO BID.

A:\CM\CMUA_Facilities\Landfill\QC-eurofins bid plans (Sept. 2015)\SCR-34-15\PUMPH SCR-34-15.dwg Layout1_6/16/2022 3:05:17 PM



PRIMARY PUMP STATION

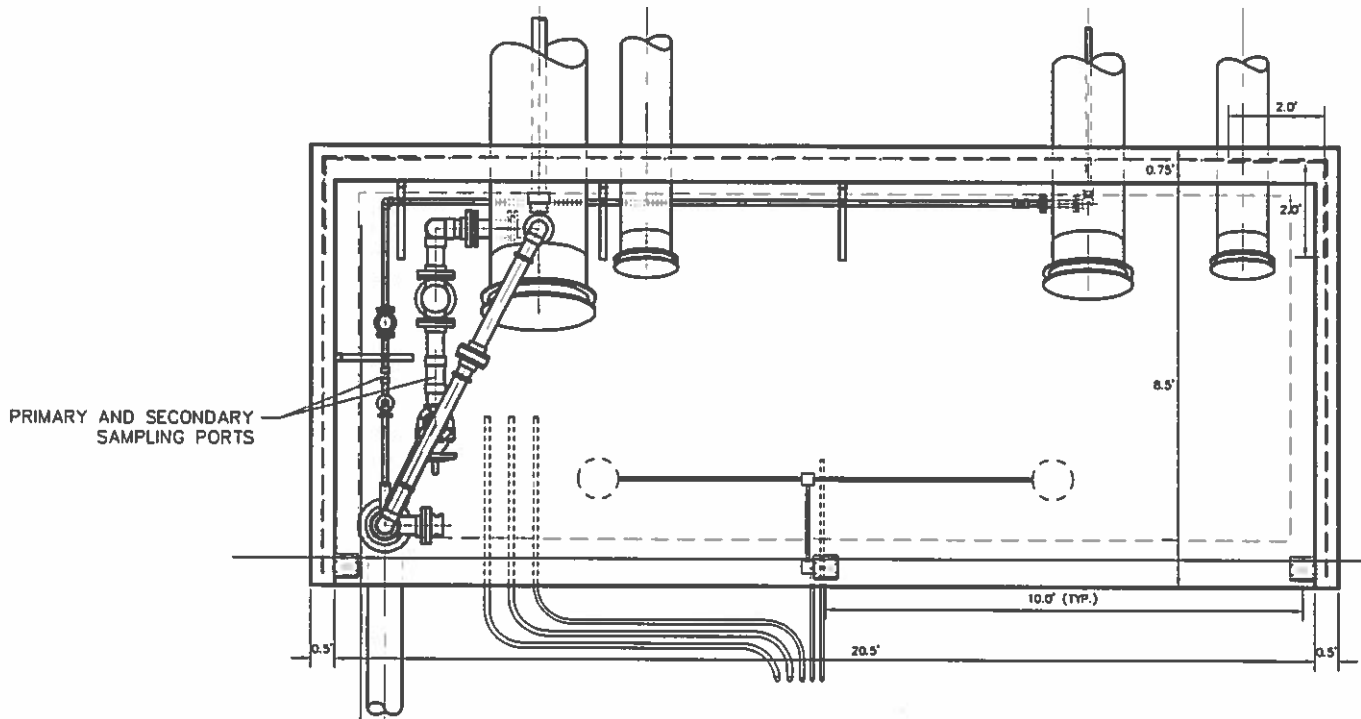
SAMPLE FROM SUMP. INLET
PIPE SUBMERGED TO
PREVENT GAS ESCAPE.
SUMP NOS. 7P, 9P, 13P & 15P



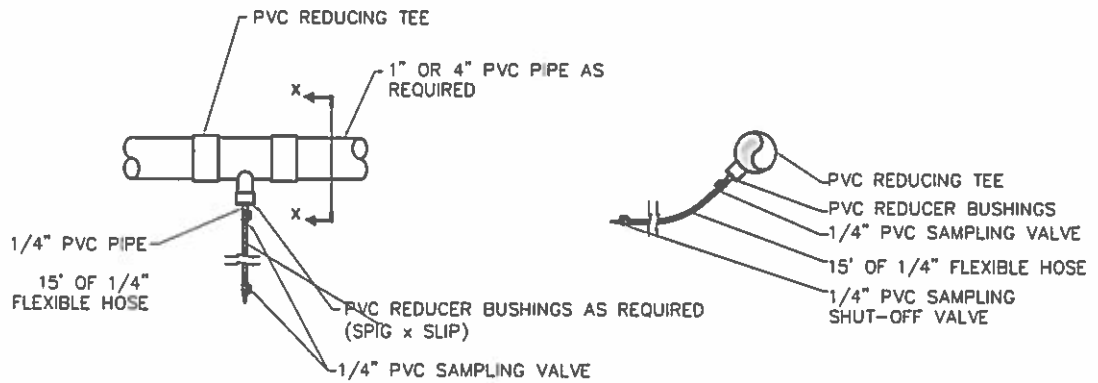
SECONDARY PUMP STATION

SAMPLE FROM INLET PIPE
SUMP NOS. 8S, 10S, 14S & 16S

LEACHATE PUMP STATION DETAILS
LANDFILL CELLS - 1A, 1D, 1C (SOUTH) & 1 E



PLAN VIEW
NOT TO SCALE



SECTION X-X

**PRIMARY AND SECONDARY
LEACHATE SAMPLING PORT**

LEACHATE PUMP STATIONS - CELL 1F

PRIMARY SUMP NOS. 1F WEST - 17P, 1F MIDDLE - 19P & 1F EAST - 21P
SECONDARY SUMP NOS. 1F WEST - 18S, 1F MIDDLE - 20S, 1F EAST - 22S

THERE ARE THREE TYPICAL "SIDE RISER" STYLE PUMP STATIONS ASSOCIATED WITH PHASE 1F, EACH WITH PRIMARY AND SECONDARY LEACHATE SAMPLING PORTS. CMCMA REPRESENTATIVE WILL INDICATE TO SAMPLER WHICH STATIONS ARE IN OPERATION AND COORDINATE WITH M.U.A. OPERATIONS TO START PUMPS TO OBTAIN SAMPLES. EQUAL QUANTITIES FROM PRIMARY PORTS SHALL REPRESENT THE COMPOSITE SAMPLE OF SUMPS 17P, 19P & 21P AND EQUAL QUANTITIES FROM THE SECONDARY PORTS SHALL REPRESENT THE COMPOSITE SAMPLE OF SUMPS 18S, 20S & 22S.