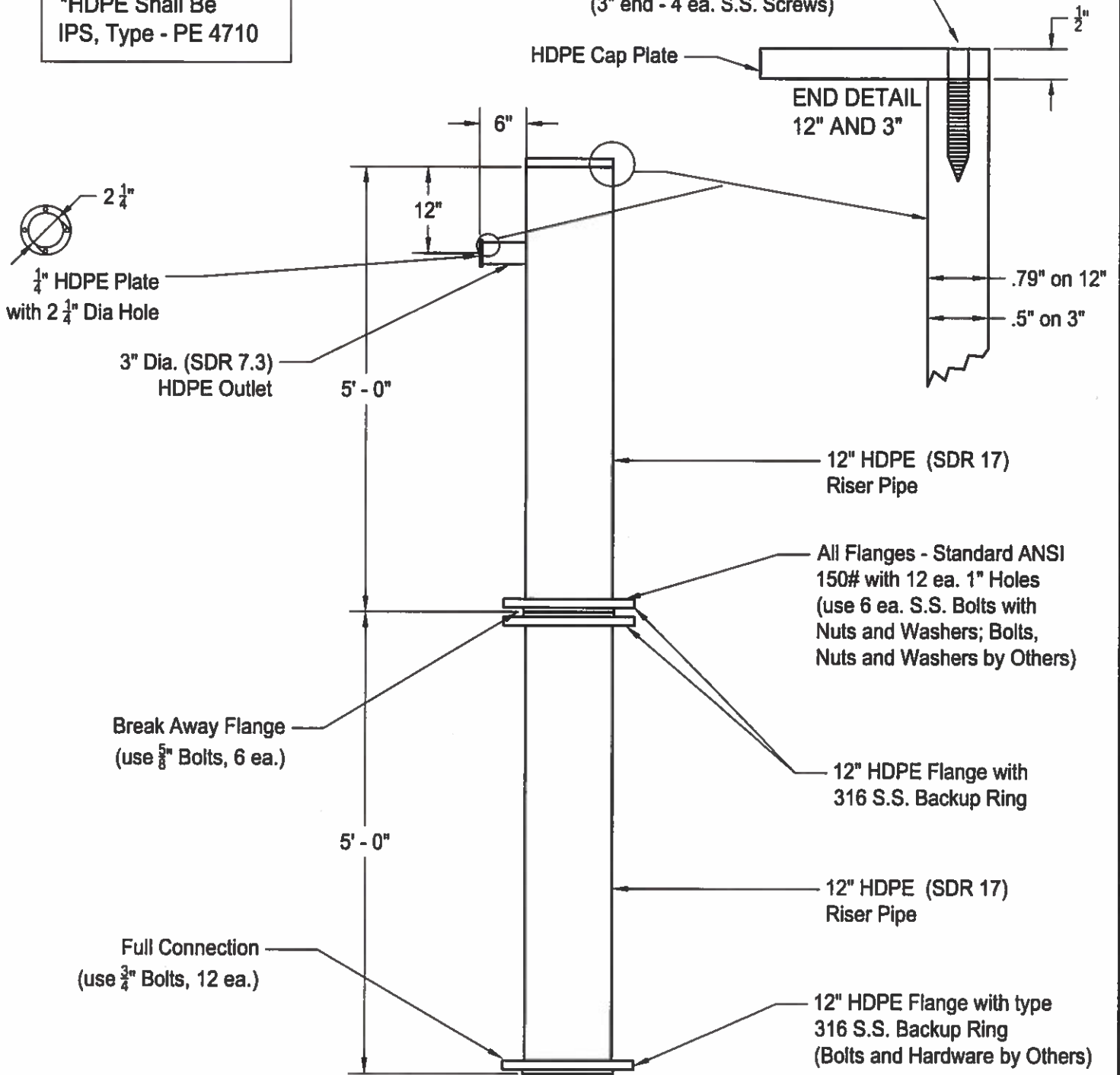


*HDPE Shall Be
IPS, Type - PE 4710

Pipe Connection through either
Butt Fusion or S.S. Screws
(12" end - 12 ea. S.S. Screws)
(3" end - 4 ea. S.S. Screws)



Thomas J. LaRocco

7/28/17
DATE:

THOMAS J. LaROCCO
PROFESSIONAL ENGINEER
N.J. LIC. NO. 30239

CAPE MAY COUNTY
MUNICIPAL UTILITIES AUTHORITY
ENGINEERING DEPARTMENT

P.O. BOX 610 CAPE MAY COURT HOUSE NEW JERSEY 08210

DESIGN: JEN	DRAWN: JEN	CONTRACT NO.: WW-EQUIP-26-17
CHECKED: TLR	APPROVED: TLR	SCALE: NTS
		DATE: July 2017

OCEAN OUTFALL REPAIRS
12" HDPE Diffuser Riser

DRAWING NO.
Sheet 1 of 1