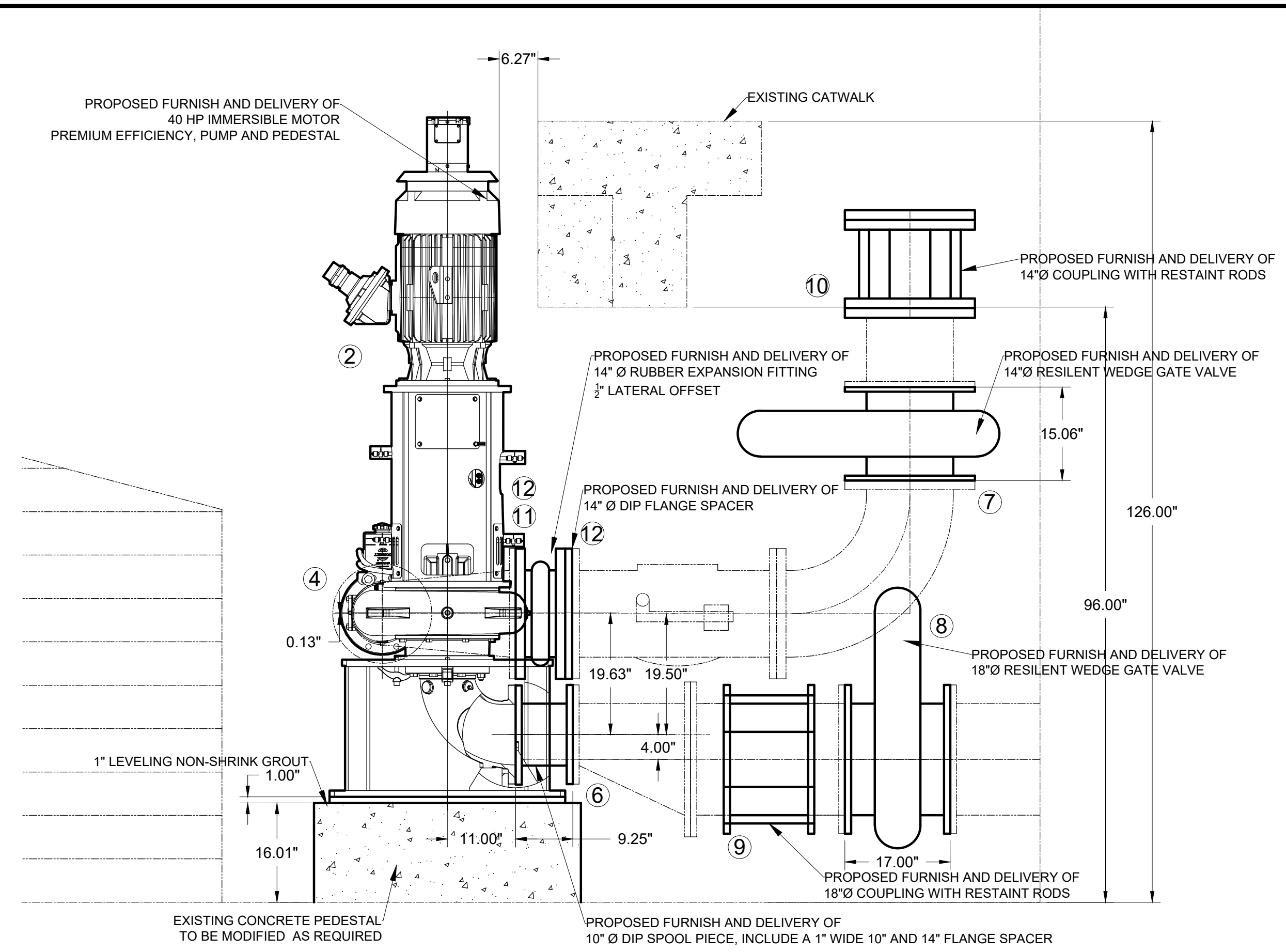
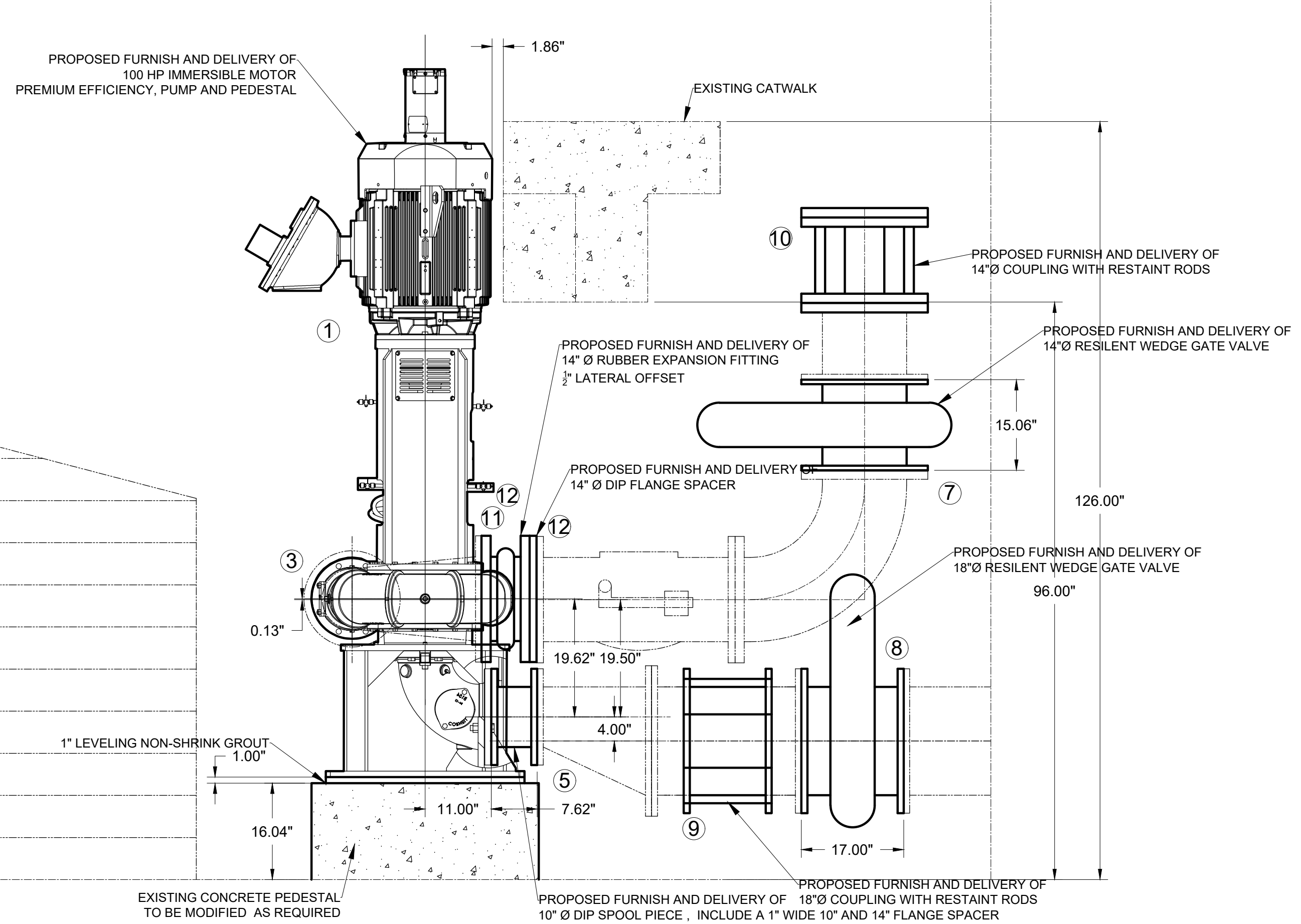


Proposed Pump Configuration  
Plan View



Proposed 40 Hp Pump Configuration  
Section View  
(One 1 Location Pump 2)



Proposed 100 Hp Pump Configuration  
Section View  
(Two 2 Locations Pumps 1 and 3)

ITEM NO.	DESCRIPTION	QTY
1	100 HP PUMP AND IMMERSIBLE MOTOR	2
2	40 HP PUMP AND IMMERSIBLE MOTOR	1
3	8" DIA. DIP SPOOL PIECE 6.50 INCHES LONG	2
4	8" DIA. DIP SPOOL PIECE 5.50 INCHES LONG	1
5	10" DIA. DIP SPOOL PIECE 7.62 INCHES LONG	2
6	10" DIA. DIP SPOOL PIECE 9.25 INCHES LONG	1
7	14" DIA. DIP RESILIENT SEAT GATE VALVE	3
8	18" DIA. DIP RESILIENT SEAT GATE VALVE	3
9	18" DIA. COUPLING WITH CONTROL RODS	3
10	14" DIA COUPLING WITH CONTROL RODS	3
11	14" DIA. RUBBER EXPANSION COUPLING	3
12	14" DIA. 1" THICK FLANGE SPACER	6
13	10" DIA. 1" THICK FLANGE SPACER	3

NOTES: 1. PROVIDE GASKETS, NUTS BOLTS, AND WASHERS FOR ALL NEW CONNECTION.  
 2. DIP SPOOL PIECES AND VALVE TO HAVE INTERIOR COATING OF PROTECTO 401  
 3. ALL INTERIOR WET SURFACES ON THE PUMP TO RECIEVE A CERAMIC COATING .  
 4. PROVIDE FLANGE LUG FOR ALL COUPLINGS TO RESTAIN TO COUPLING PIPE

**CAPE MAY COUNTY**  
MUNICIPAL UTILITIES AUTHORITY

P.O. BOX 810 CAPE MAY COURT HOUSE NEW JERSEY 08210

DESIGN: GEHR DRAWN: GEHR PROJECT NO.: WW-EQUIP-09-22  
 CHECKED: T.J.L. APPROVED: T.J.L. SCALE: 3/4" = 1'-0"  
 DATE: APRIL 2022

DATE: \_\_\_\_\_  
**THOMAS J. LaROCCO**  
 PROFESSIONAL ENGINEER  
 N.J. LIC. NO. 30239

REVISION	DATE	DESCRIPTION	APPD
WILDWOOD LOWER REGION ROSEMARY AVENUE PUMP STATION PUMP REPLACEMENT			
CAPE MAY COUNTY MUNICIPAL UTILITIES AUTHORITY			
PROPOSED GENERAL ARRANGEMENT PLAN			

DRAWING NO.  
2 OF 2