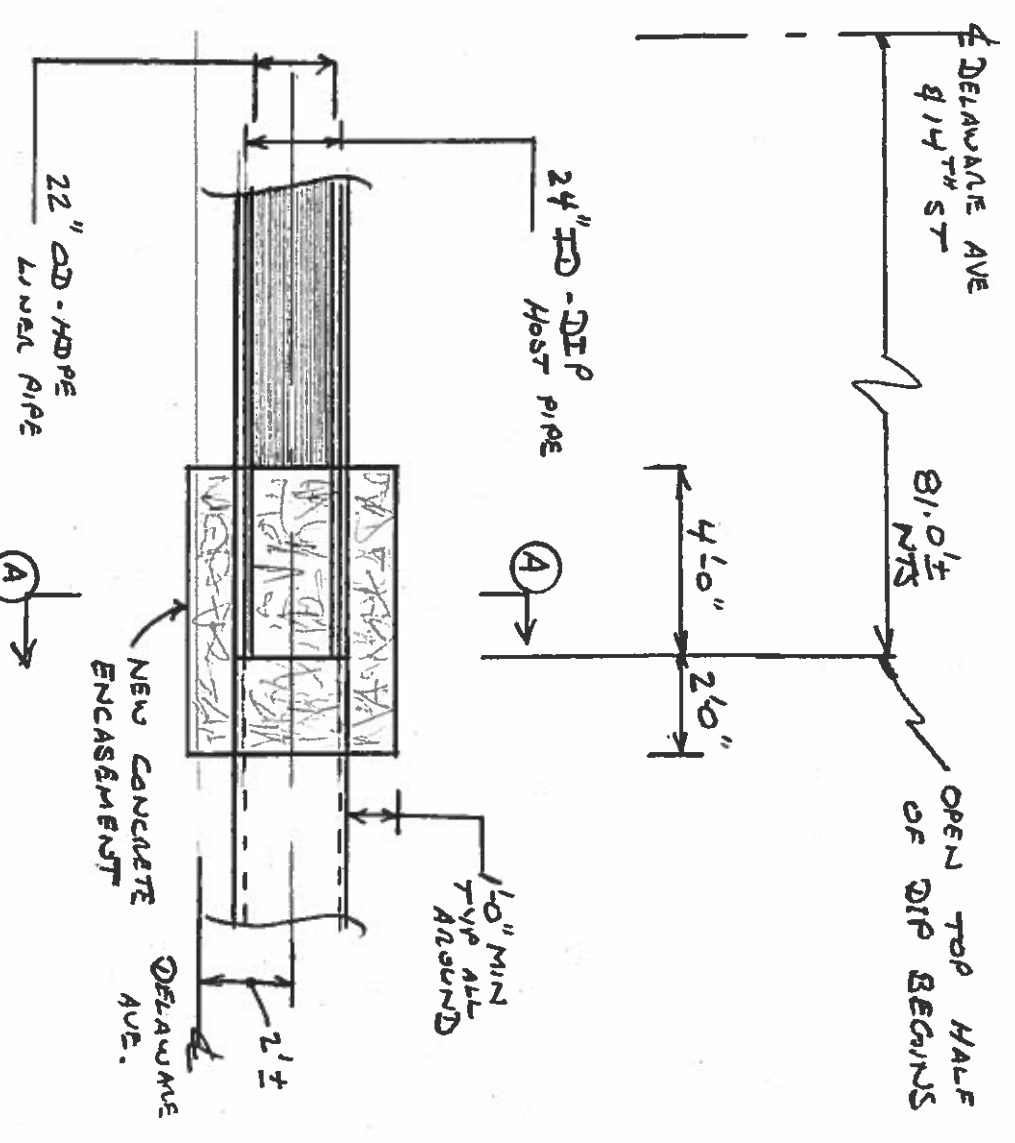


PLAN: STREET LEVEL
 SCALE: 1" = 10'



PLAN: PIPE LEVEL
 SCALE: 1" = 4'0"

	CMCMA
	DELAWARE AVE PM ENCASUREMENT
THOMAS J. LAROCO PROFESSIONAL ENGINEER N.Y.C. NO. 2777	PLANS
DATE: 10/9/24	SK-1.1